

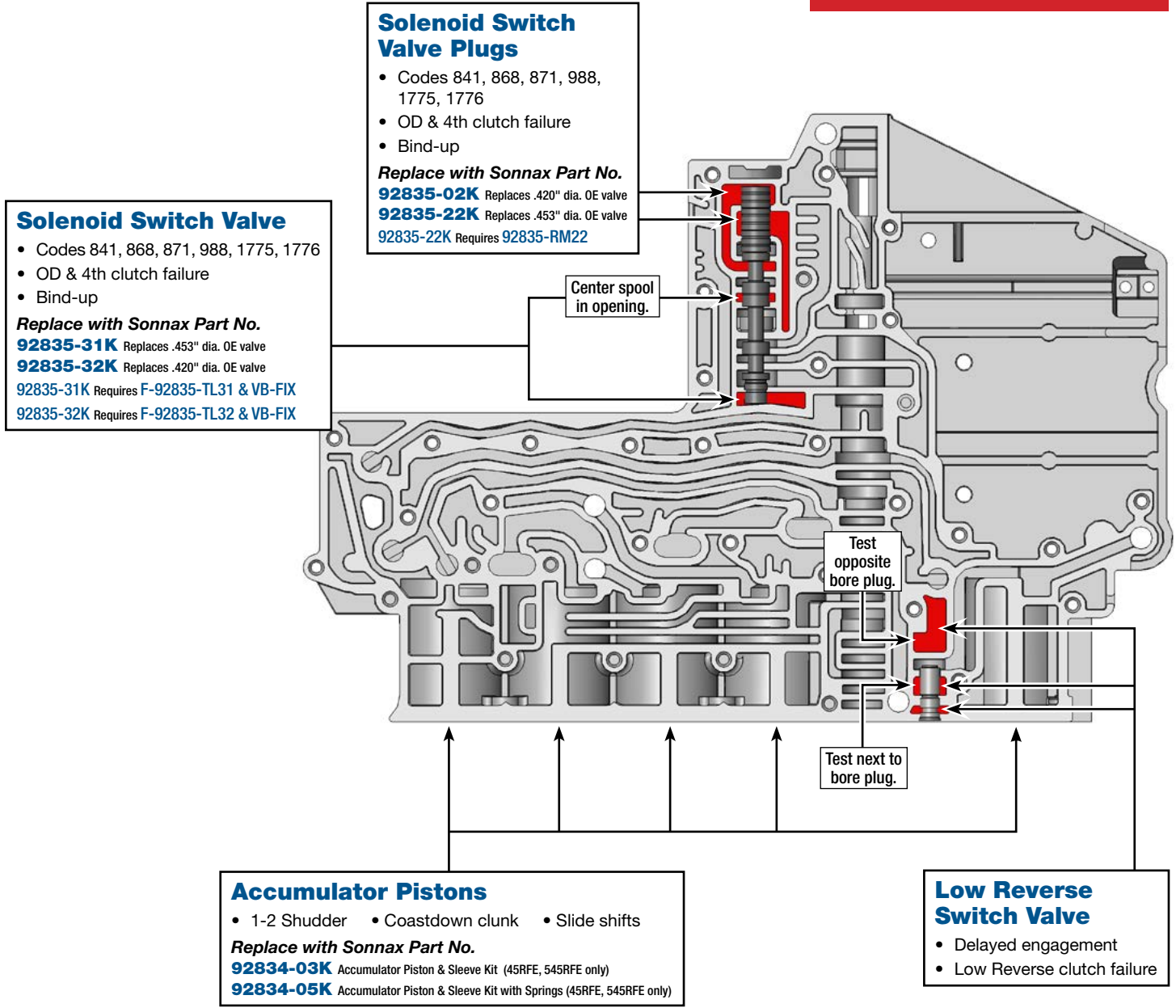
Critical Wear Areas & Vacuum Test Locations



NOTE: OE valves are shown in rest position and should be tested in rest position unless otherwise indicated. Test locations are pointed to with an arrow. Springs are not shown for visual clarity. Low vacuum reading indicates wear.

Valve Body • 45RFE Shown

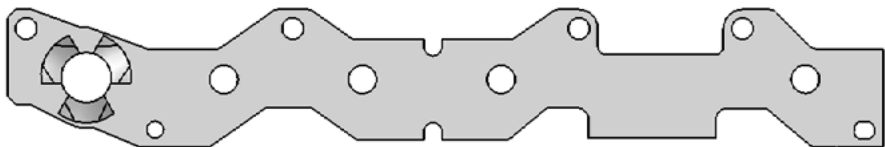
Click on Sonnax part numbers to see more information.



Accumulator Retaining Plate

- Broken plate

Sonnax Part No.
44892-01K



Critical Wear Areas & Vacuum Test Locations



NOTE: OE valves are shown in rest position and should be tested in rest position unless otherwise indicated. Test locations are pointed to with an arrow. Springs are not shown for visual clarity. Low vacuum reading indicates wear.

Pump Body • 45RFE Shown

Click on Sonnax part numbers to see more information.

TC Limit Valve Spring

- Broken spring
- Engine stall on engagement
- Overheated converter
- Delayed engagement

Replace with Sonnax Part No. **44912-02**

TC Limit Valve

- Loss of power
- Overheated converter
- Delayed engagement

Replace with Sonnax Part No. **44912-03K**
Requires F-44912-TL & VB-FIX

TCC Accumulator Spring

- Harsh TCC apply
- TCC engagement complaints

Replace with Sonnax Part No. **44912-01**

TCC Control Valve

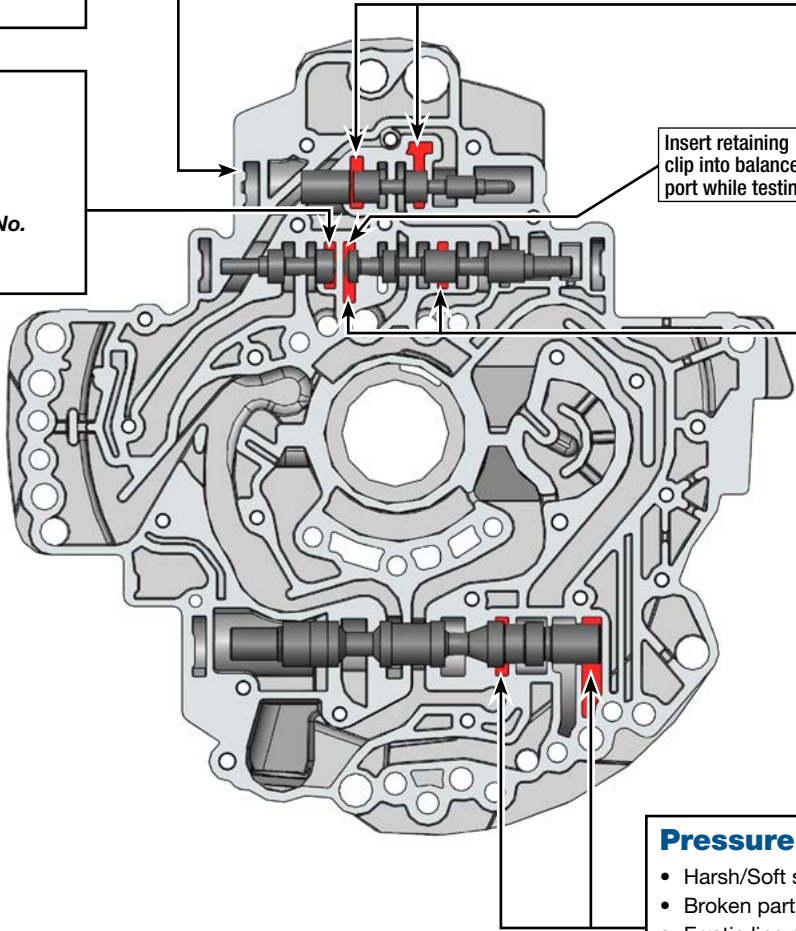
- No TCC
- TCC slip codes
- TCC engagement complaints

TCC Switch Valve

- No TCC
- TCC slip codes
- TCC engagement complaints

Replace with Sonnax Part No. **44912-08K**
Requires F-44912-TL8 & VB-FIX

Insert retaining clip into balance port while testing.



Pressure Regulator Valve

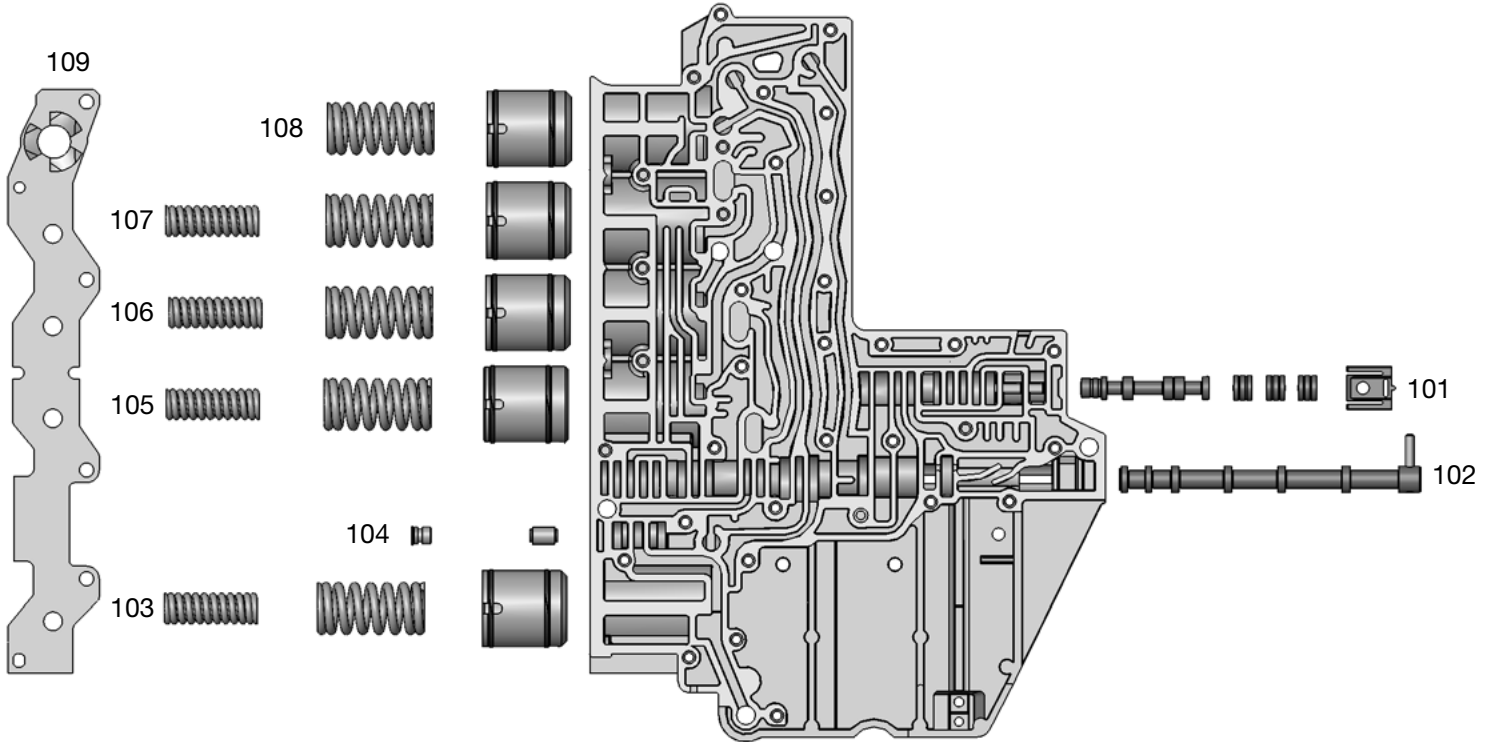
- Harsh/Soft shifts
- Broken parts due to high pressure
- Erratic line pressure

Replace with Sonnax Part No. **44912-10K**
Requires F-44912-TL10 & VB-FIX

Test with .125" shim in between the balance end of the valve and the casting.

OE Exploded View

Valve Body • 45RFE Shown

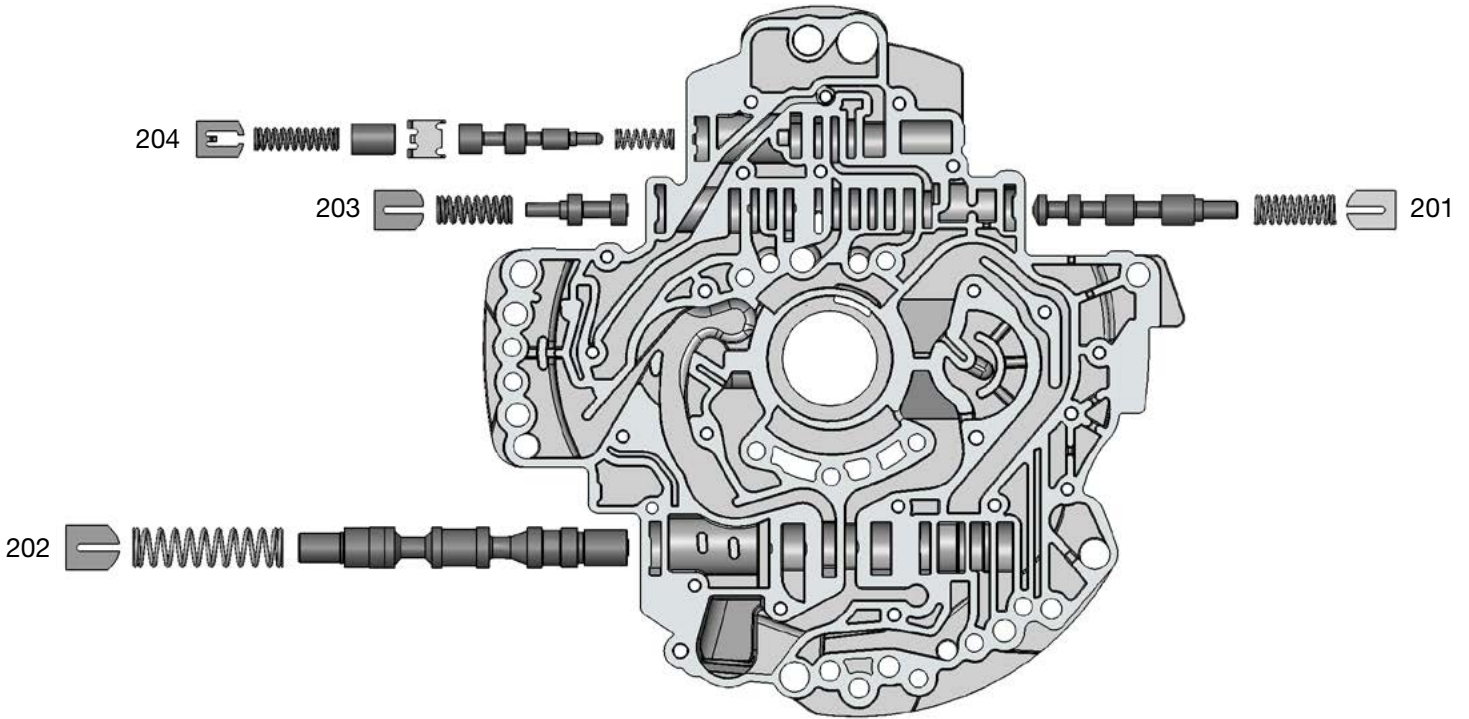


Valve Body Descriptions

| I.D. No. | Description |
|----------|--------------------------------------|
| 101 | Solenoid Switch Valve |
| 102 | Manual Valve |
| 103 | Low Reverse Accumulator Piston |
| 104 | Low Reverse Switch Valve |
| 105 | Second Clutch Accumulator Piston |
| 106 | Fourth Clutch Accumulator Piston |
| 107 | Underdrive Clutch Accumulator Piston |
| 108 | Overdrive Clutch Accumulator Piston |
| 109 | Accumulator Retaining Plate |

OE Exploded View

Pump Body • 45RFE Shown



| Pump Body Descriptions | |
|-------------------------------|-------------------------------|
| I.D. No. | Description |
| 201 | TCC Switch Valve |
| 202 | Main Pressure Regulator Valve |
| 203 | TC Limit Valve |
| 204 | TCC Accumulator Control Valve |